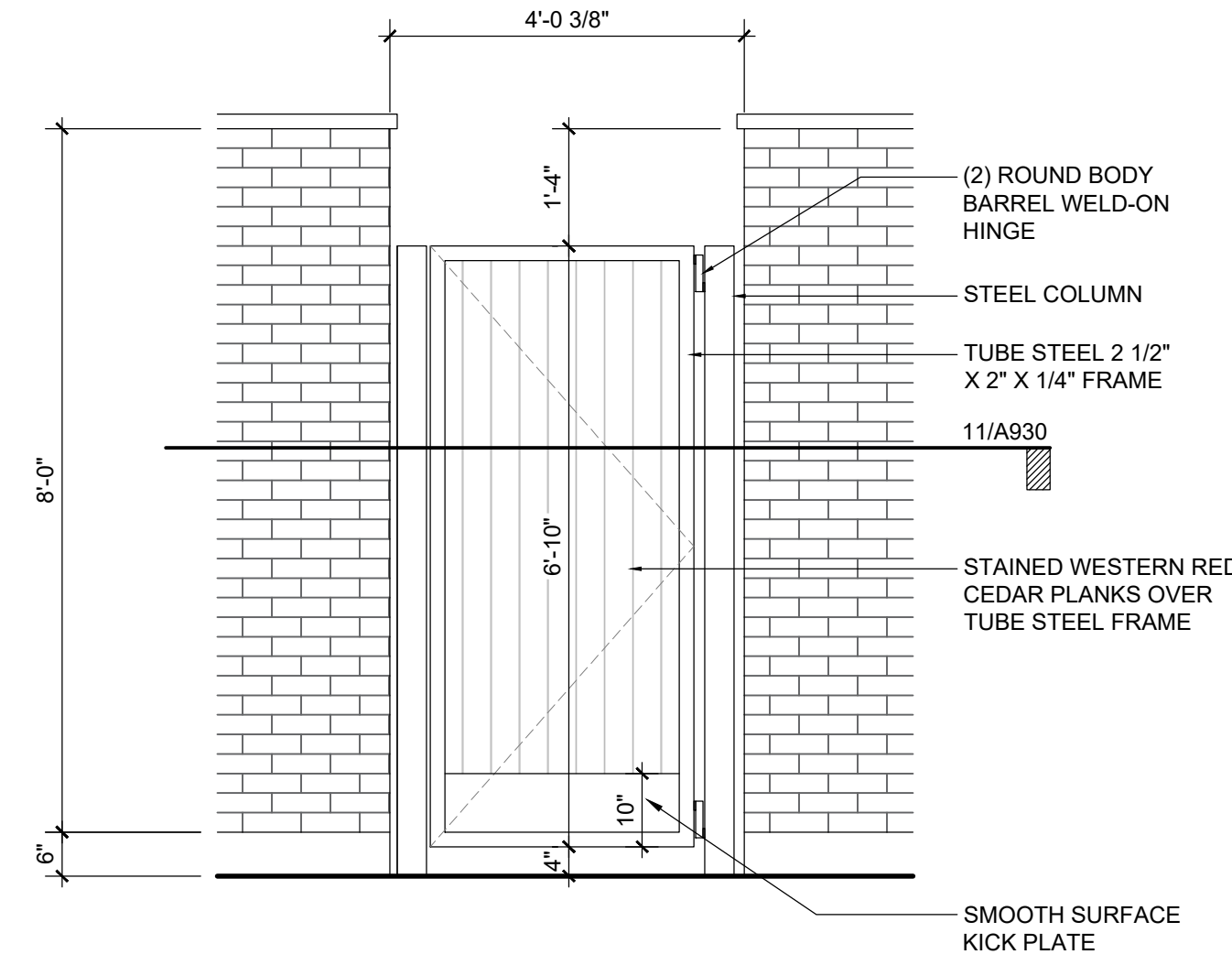
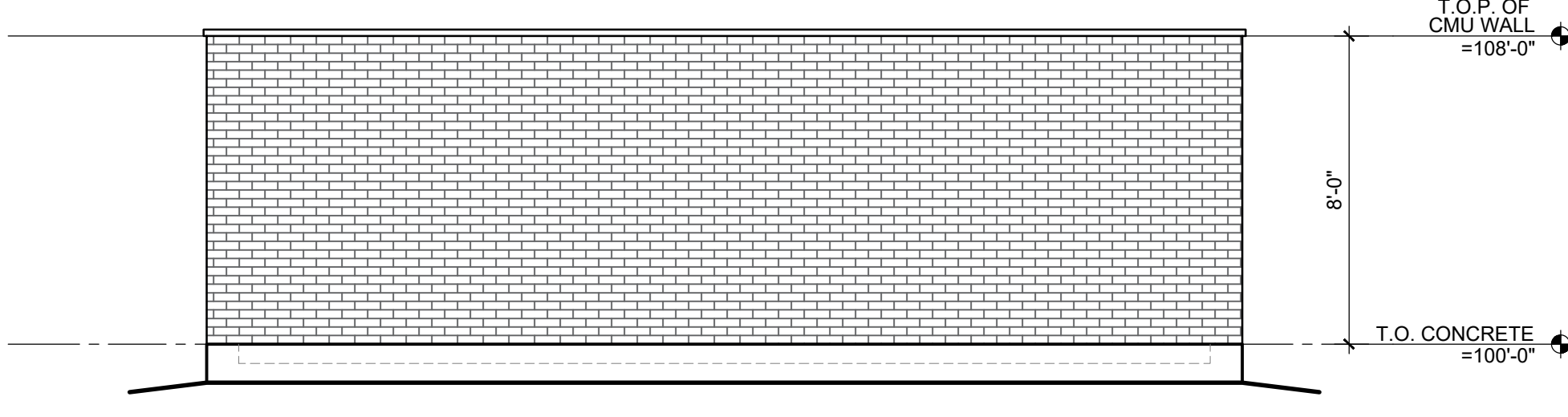
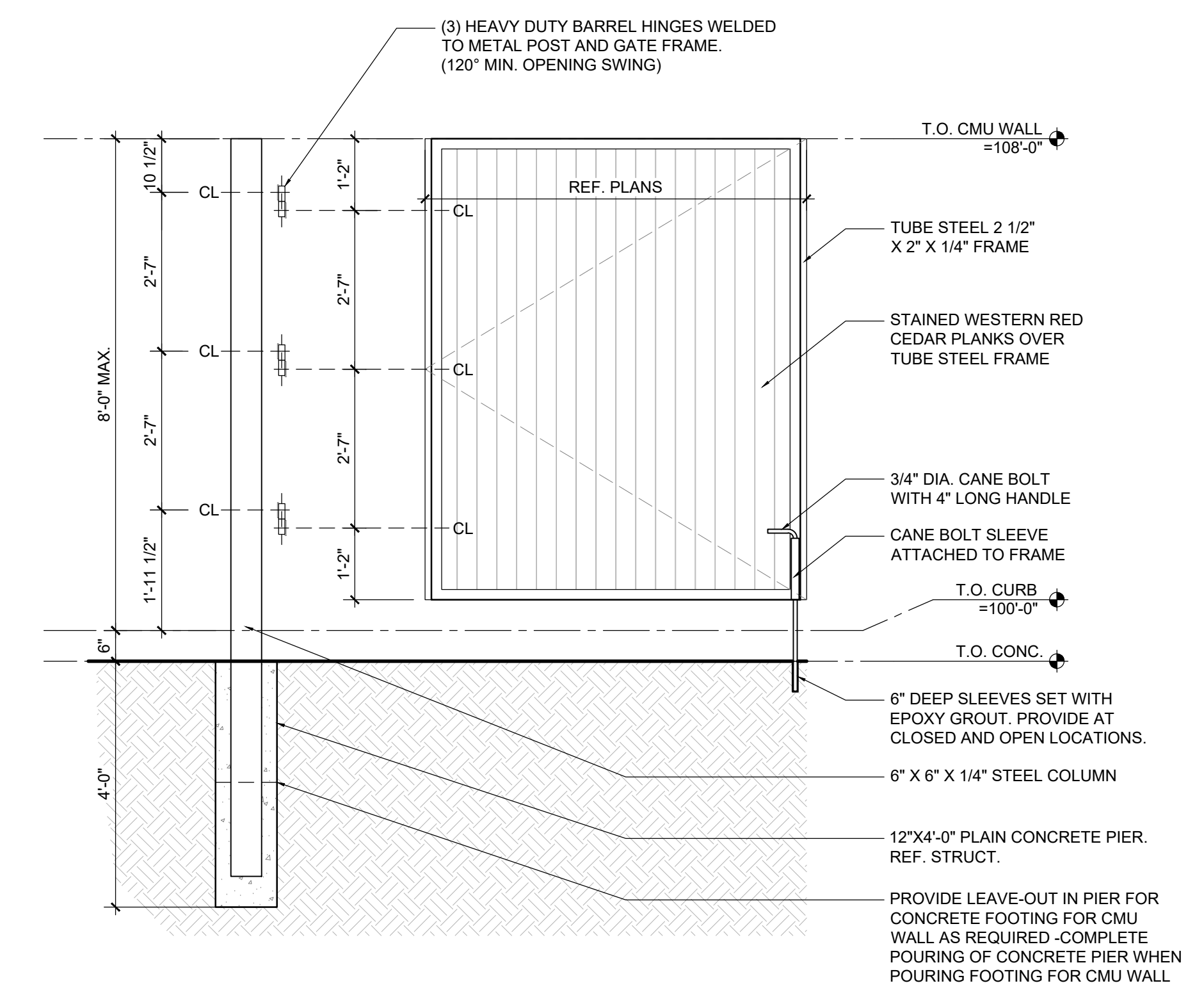


10 TYPICAL SECTION
SCALE: 1/4" = 1'-0"

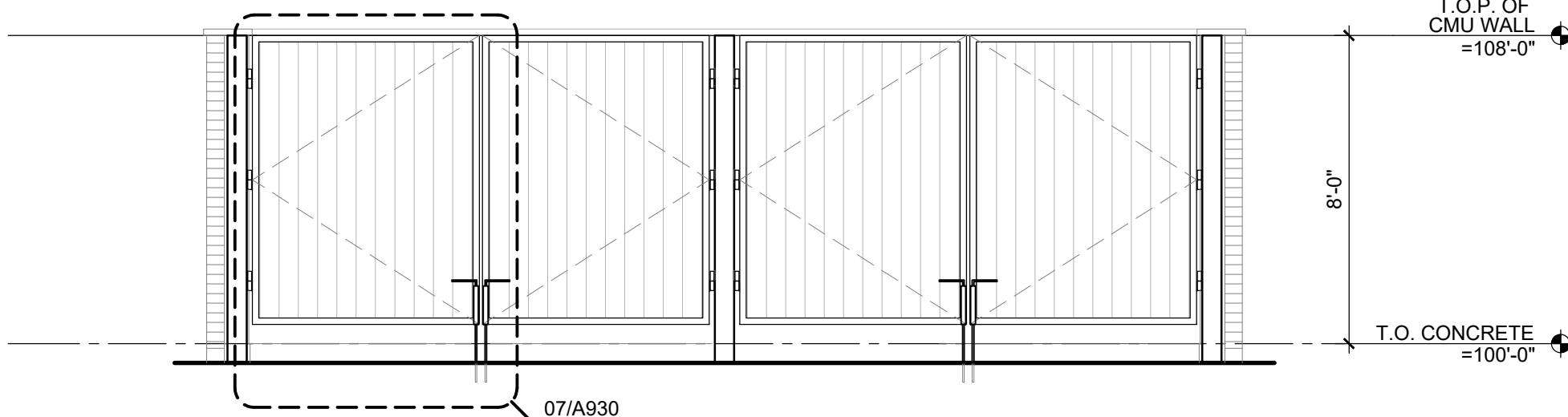


08 DOOR ELEVATION
SCALE: 1/2" = 1'-0"

11 DOOR PLAN
SCALE: 1" = 1'-0"



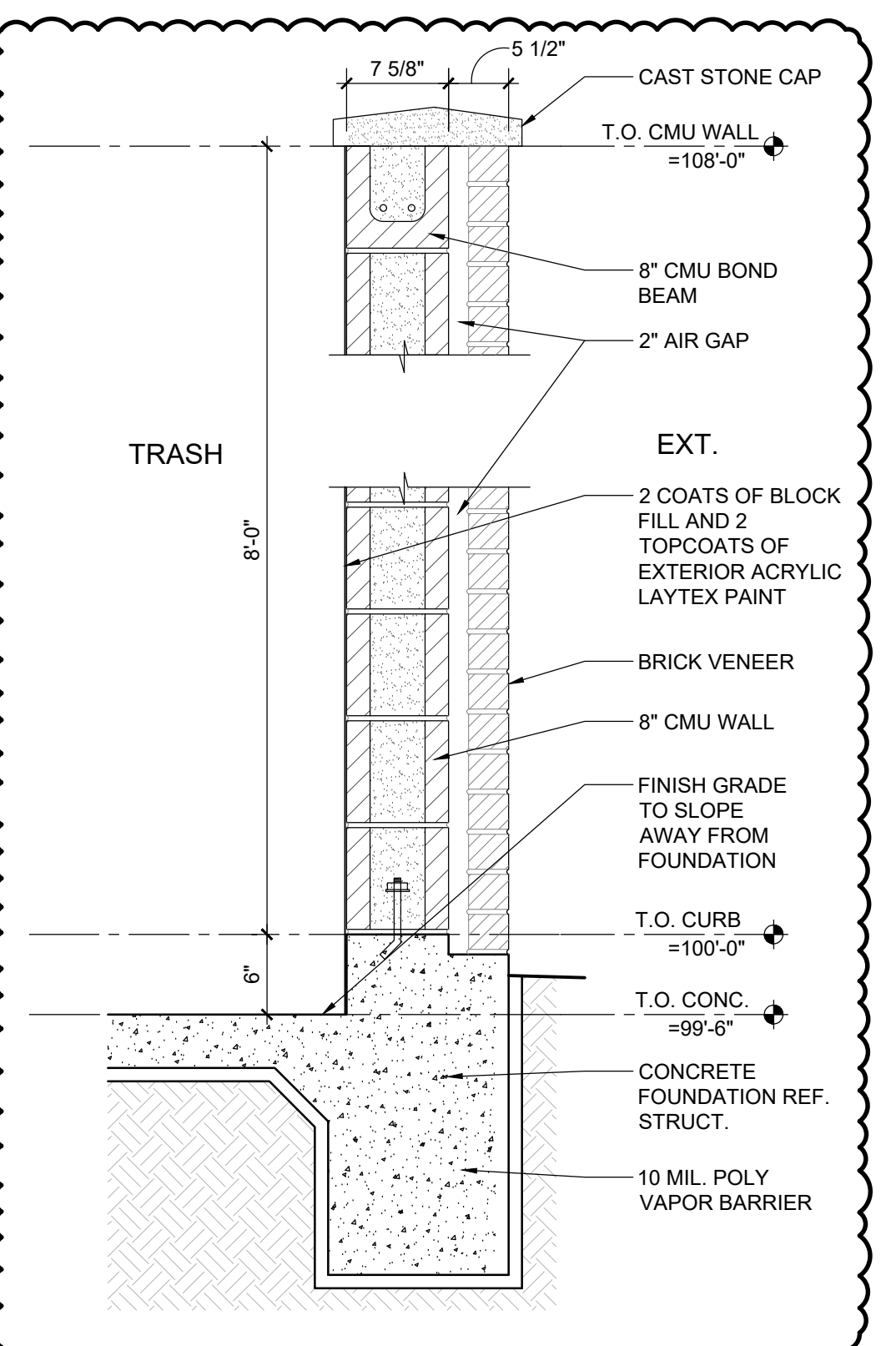
09 TRASH DUMPSTER REAR ELEVATION
SCALE: 1/4" = 1'-0"



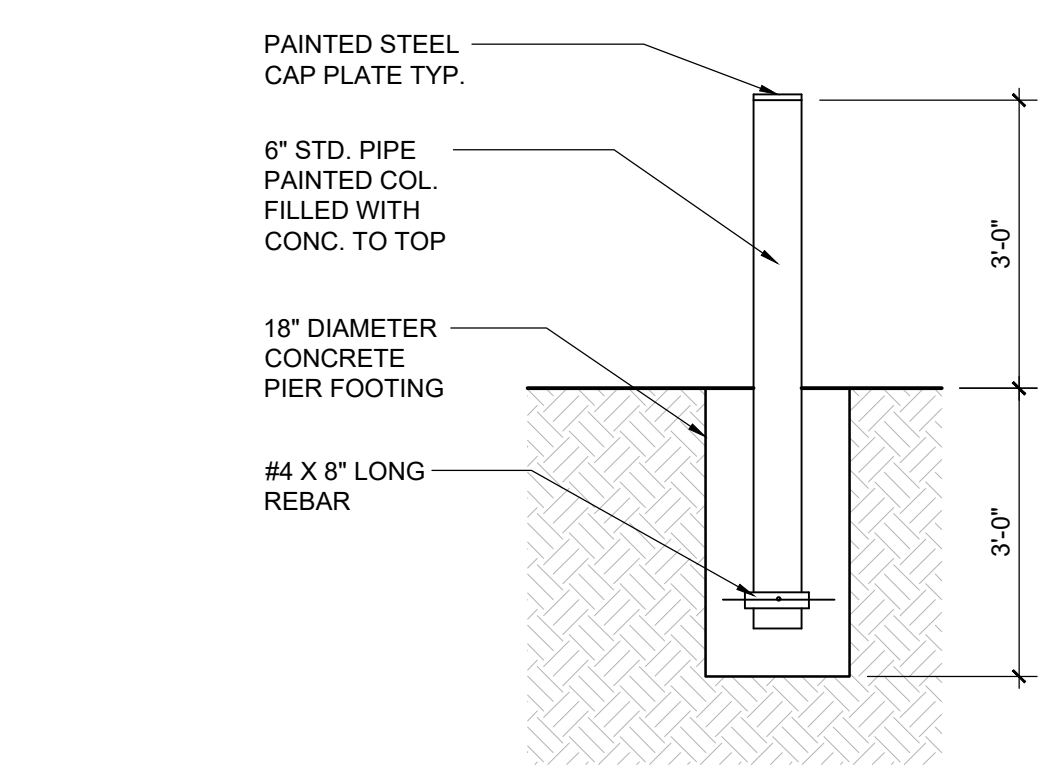
06 TRASH DUMPSTER FRONT ELEVATION
SCALE: 1/4" = 1'-0"

05 TRASH DUMPSTER SIDE ELEVATION
SCALE: 1/4" = 1'-0"

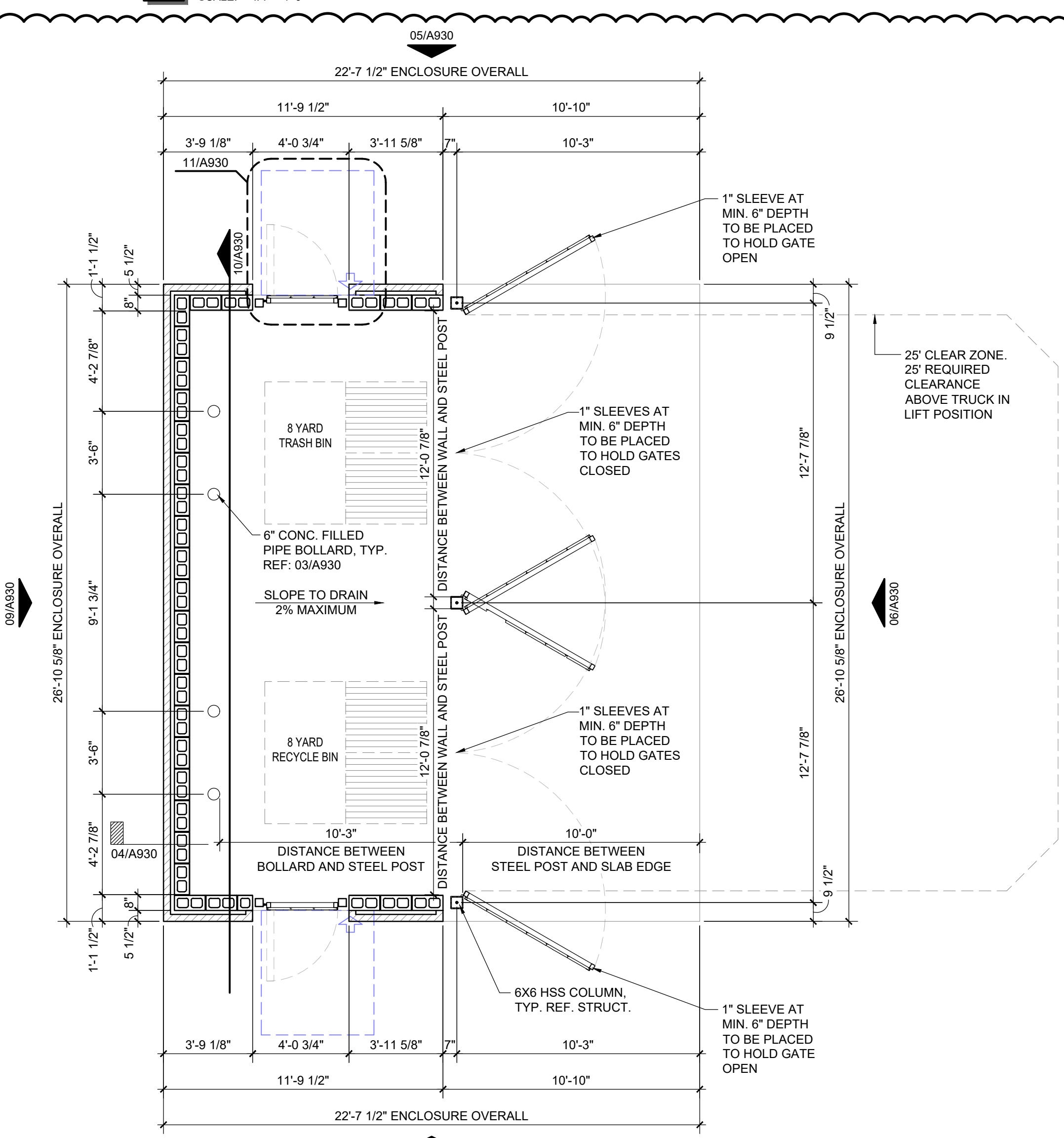
07 GATE ELEVATION
SCALE: 3/4" = 1'-0"



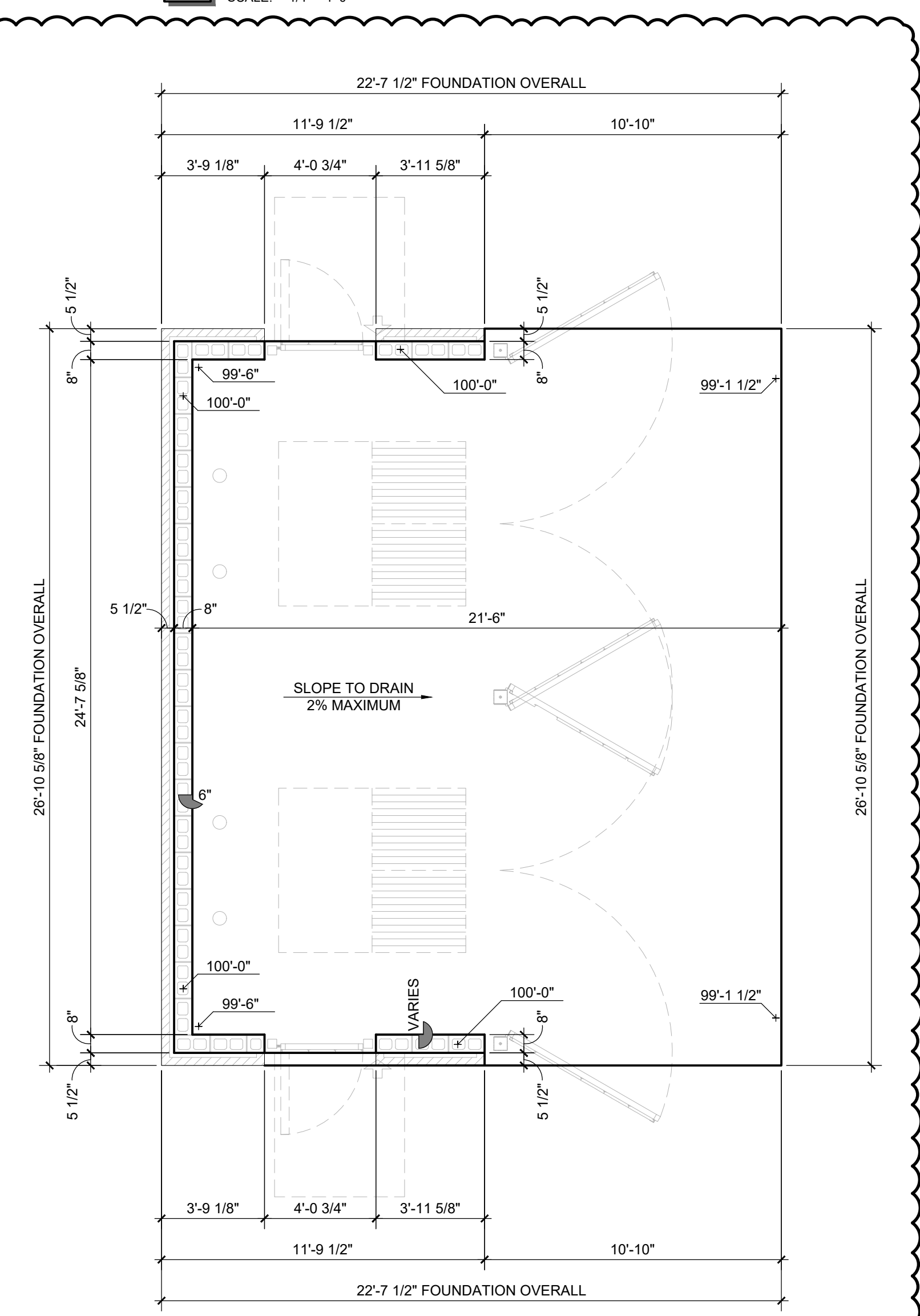
04 TYPICAL WALL DETAIL
SCALE: 1/2" = 1'-0"



03 TYPICAL BOLLARD DETAIL
SCALE: 1/2" = 1'-0"



02 TRASH DUMPSTER PLAN
SCALE: 1/4" = 1'-0"



01 TRASH DUMPSTER FOUNDATION PLAN
SCALE: 1/4" = 1'-0"

NOTES:

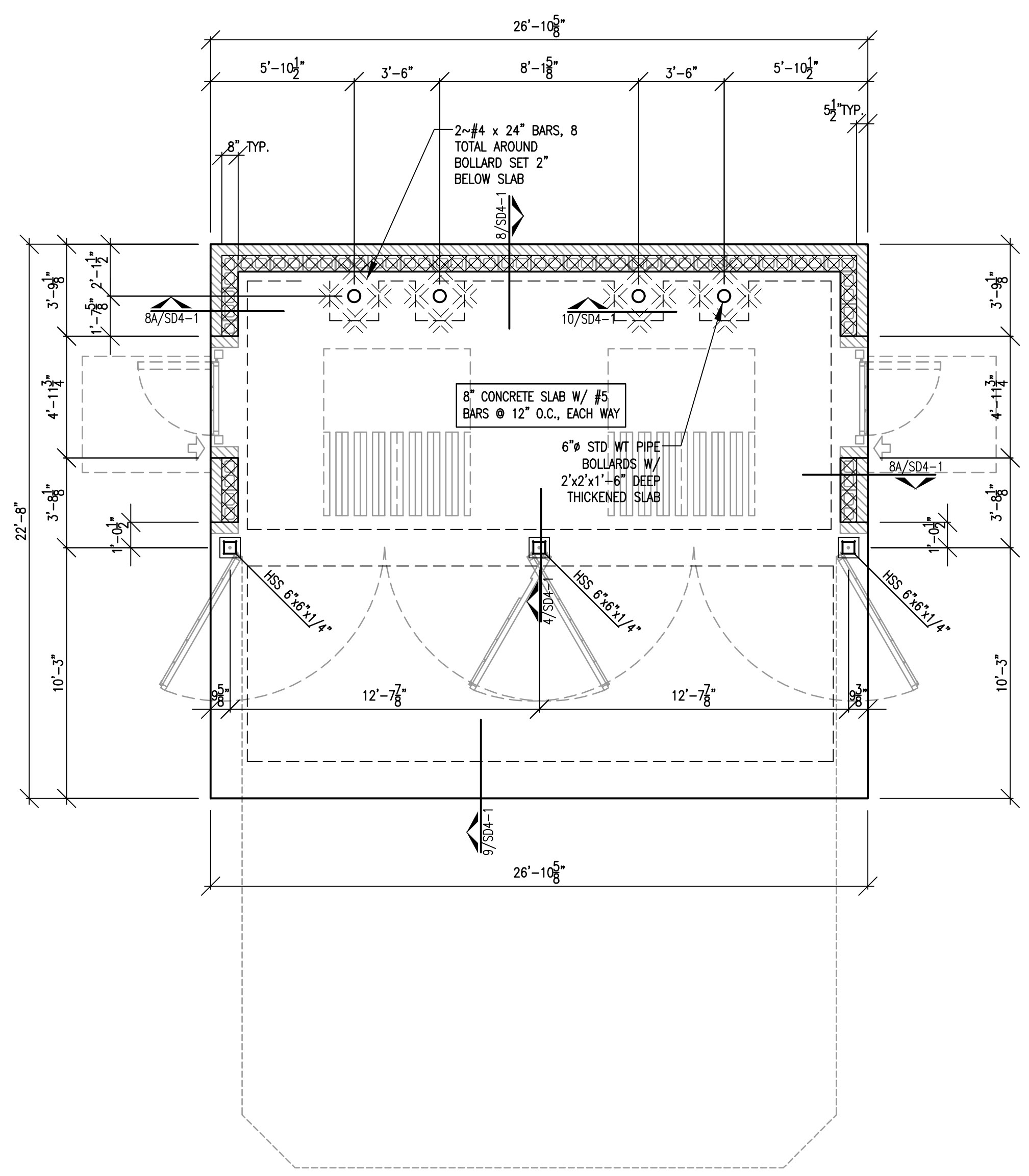
- REFER TO ARCH. SITE PLAN FOR BUILDING LOCATION AND ORIENTATION.
- REFER TO CIVIL DRAWINGS AND SOILS REPORT FOR PAVING DESIGN, THICKNESS AND DETAILS. PAVING TO MEET CITY MINIMUM STANDARDS.
- FOUNDATION PROFILE FOR DIMENSIONAL CONTROL ONLY. REFER TO STRUCTURAL ENGINEERING DRAWINGS FOR FOUNDATION DESIGN AND DETAILS.
- REFER TO STRUCTURAL FOR CONCRETE PIER LOCATION AT GATE SUPPORT.
- REFER TO STRUCTURAL FOR REINFORCING AND FOOTINGS.
- ALL HARDWARE SHALL BE HOT DIPPED GALVANIZED.

PRE-CONSTRUCTION SETS

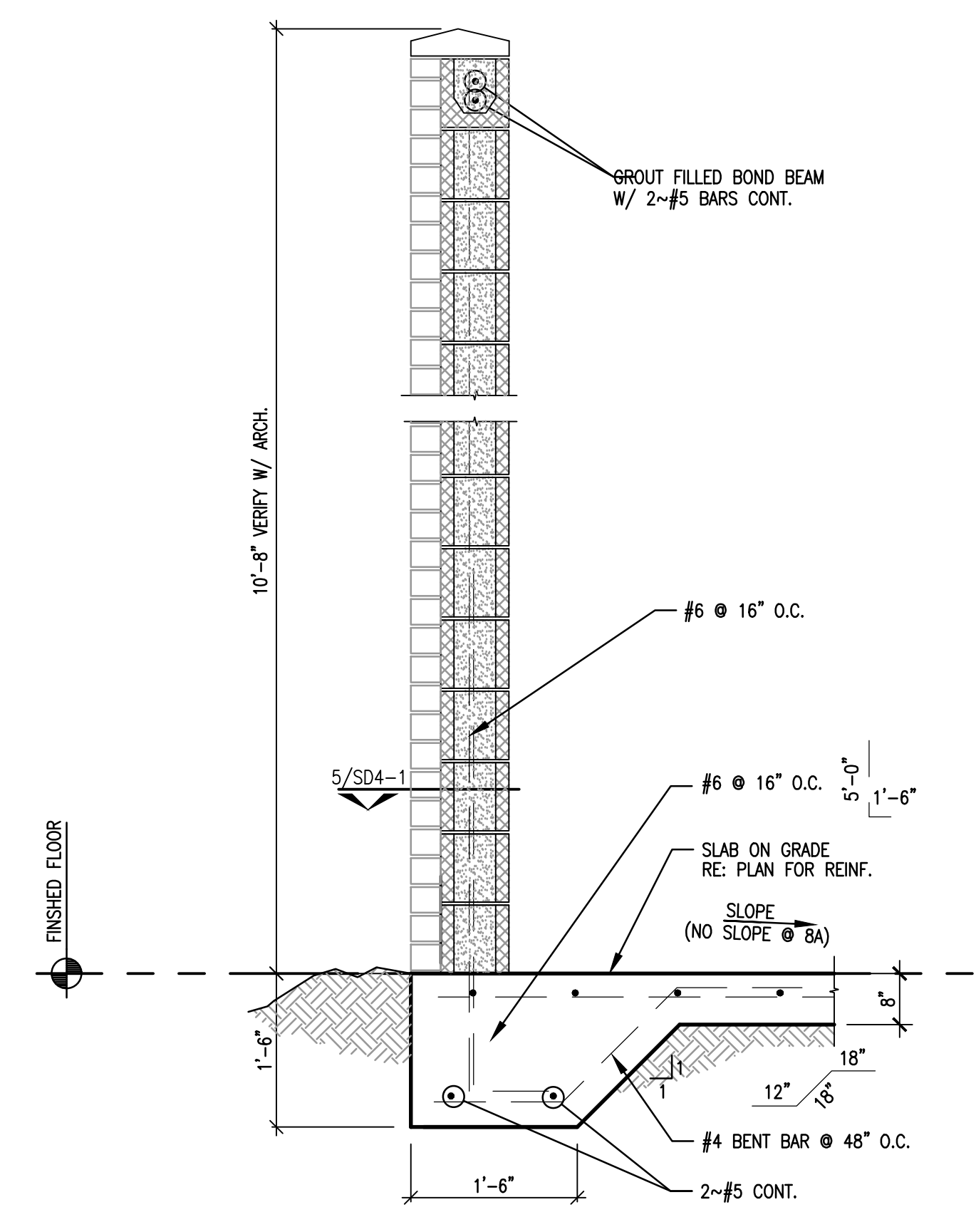
ISSUE No.	DATE mm.dd.yy	ISSUED FOR	INITIALS
A	09.04.25	100% DD SET	SA
B	10.10.25	100% PERMIT SET	SA
C	12.08.25	PERMIT COMMENTS	SA
D			
E			

CONSTRUCTION SETS

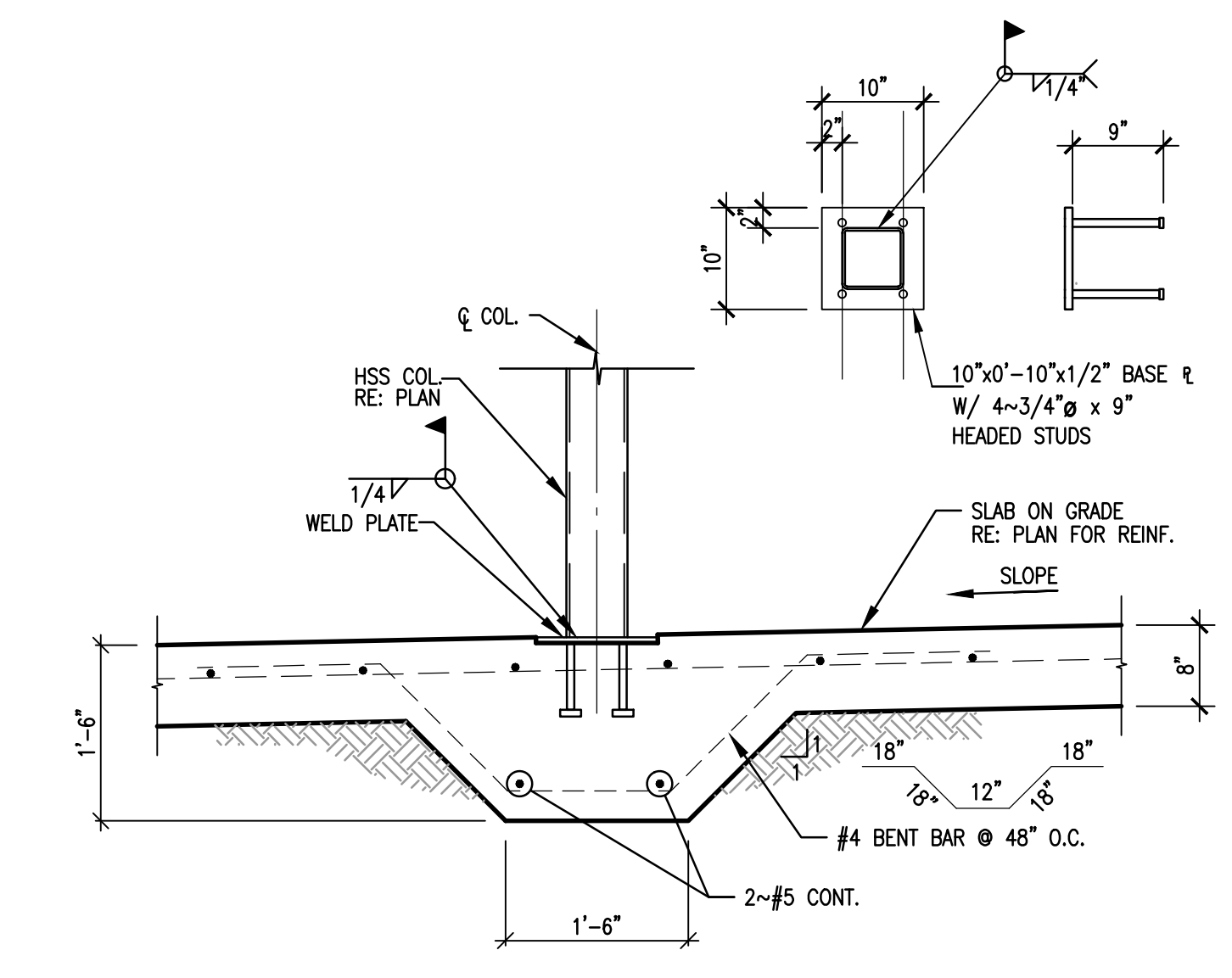
ISSUE No.	DATE mm.dd.yy	ISSUED FOR	INITIALS
0			
1			
2			
3			
4			
5			
6			
7			
8			
9			
10			
11			
12			
13			
14			
15			
16			



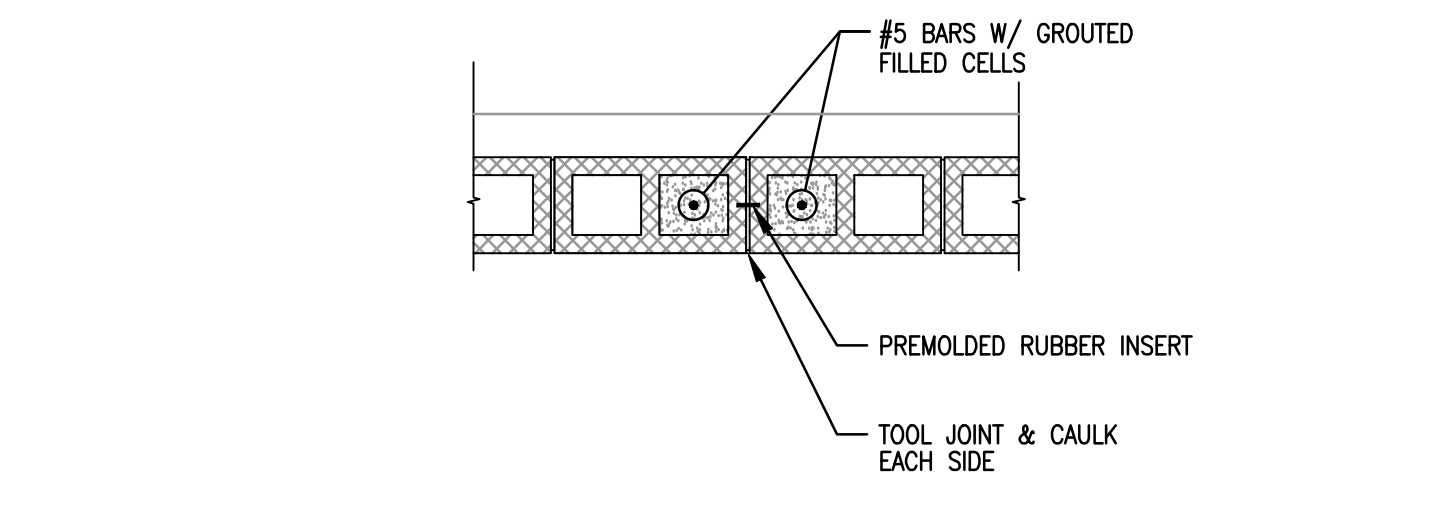
1 TRASH COMPACTOR FOUNDATION PLAN
SCALE: 1/4" = 1'-0"



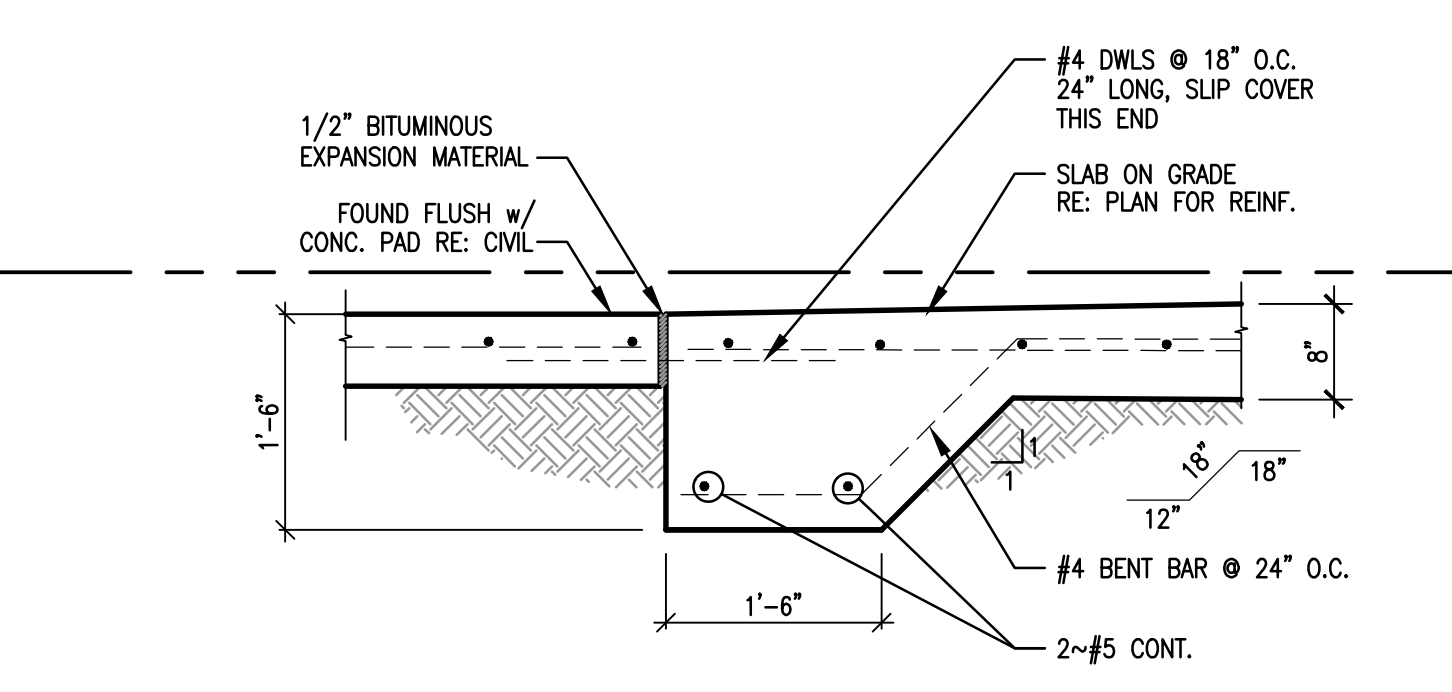
8 8A CMU WALL & BEAM SECTION



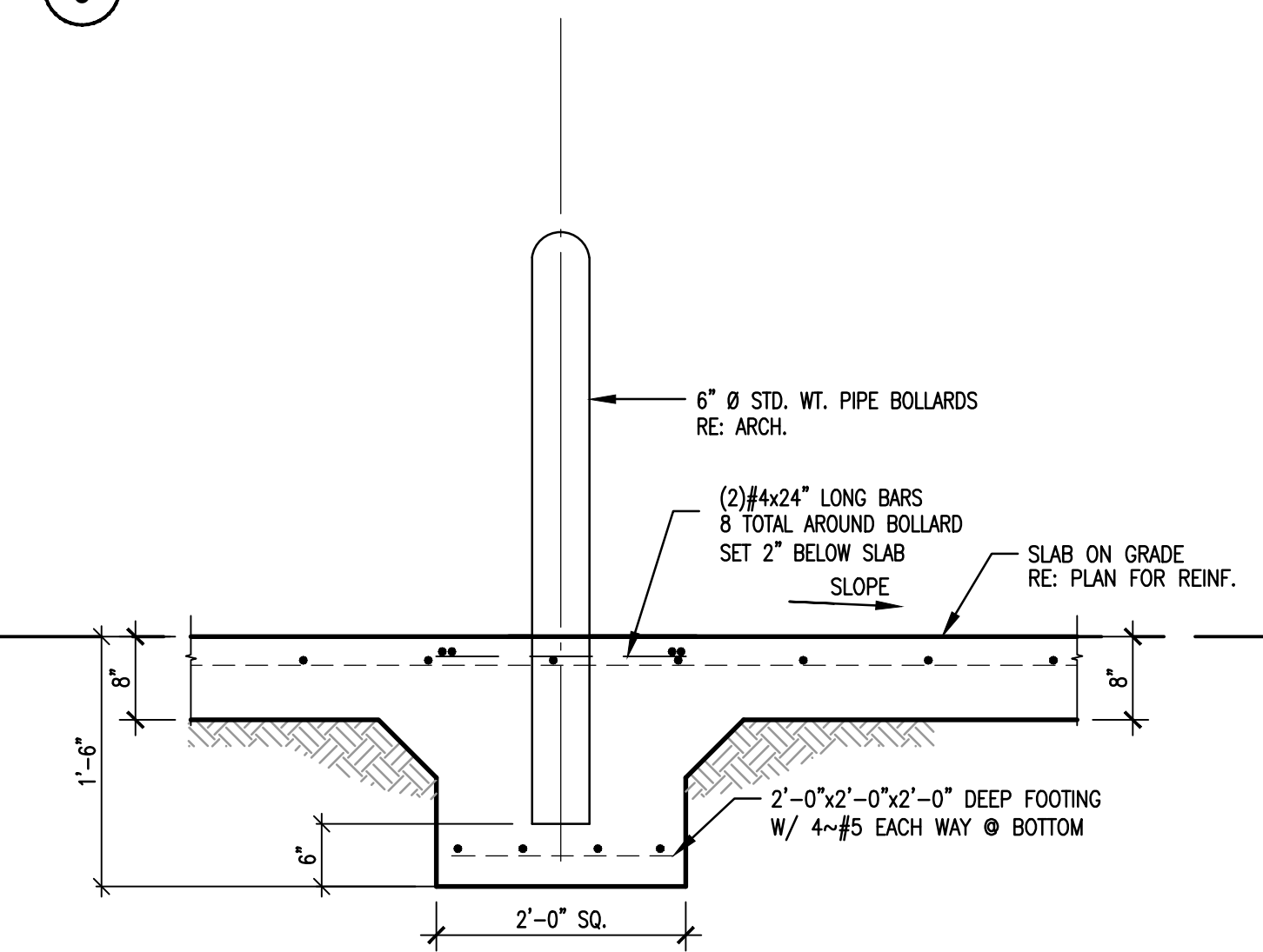
4 FOOTING AT STEEL COLUMN
SCALE: 3/4" = 1'-0" UNLESS NOTED OTHERWISE



5 CMU WALL JOINT



9 COMPACTOR ENTRY SECTION



10 BOLLARD FTG.

11 NOT USED

12 NOT USED

13 NOT USED

14 NOT USED

15 NOT USED

16 NOT USED

17 NOT USED

18 NOT USED

19 NOT USED

20 NOT USED

PRE-CONSTRUCTION SETS

ISSUE No.	DATE	ISSUED FOR
A	09.04.25	100% DD SET
B	10.10.25	100% PERMIT SET
C	01.06.26	PERMIT COMMENTS
D		
E		

CONSTRUCTION SETS

ISSUE No.	DATE	ISSUED FOR
0		
1		
2		
3		
4		
5		
6		
7		
8		
9		
10		
11		
12		
13		
14		
15		
16		

TEEPLE PARTNERS

UNITED STRUCTURAL CONSULTANTS, LLC
1003 NORTHMOIST FERRYWAY, SUITE 600 HOUSTON, TX 77046
P: 713-669-7915 F: 713-669-4418

T.B.P.E. Reg. # F-10252

Project Title:
BRAZOS OAKS PHASE II
BRYAN, TEXAS

USC Project Number: 070-074
Drawn By: JDY
Checked By: DAB
Approved By: DAB
Project #: **25090**
Drawing Title: TRASH ENCLOSURE